

SELF CLOSING SLIDING DOOR SYSTEM  
**LM-80, LM-80G**

**TGD PREMIER**  
AUTOMATIC DOOR SYSTEM



**SUGATSUNE**

*Semi-Automatic Door System From Japan*  
ระบบบานเลื่อนกึ่งอัตโนมัติ จากประเทศญี่ปุ่น





SELF CLOSING  
SLIDING DOOR SYSTEM  
**LM-80**

SELF CLOSING  
SLIDING DOOR SYSTEM

**LM-80G**

## Product Applications

**FACTORIES** where doors must always remain in closed position.

**OFFICES** such as storage, pantry and conference room, etc.

**RETAIL-OUTLETS** shop front (energy saving).

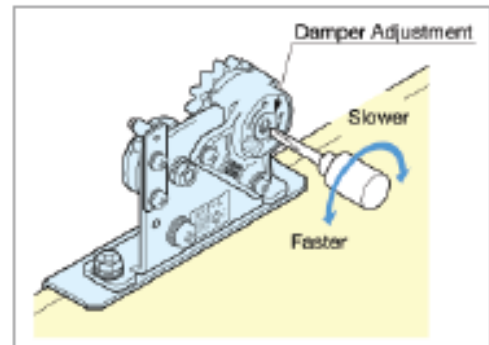
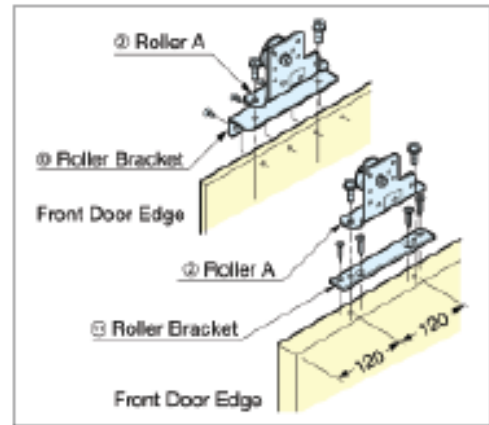
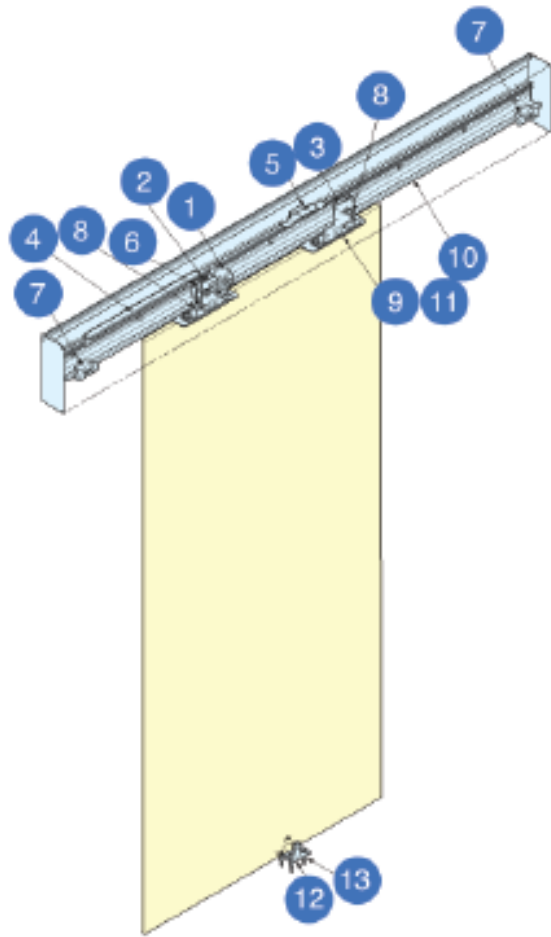
**RESTAURANTS** use as the kitchen door or toilet door.

**HOMES** use as the kitchen door or toilet door.

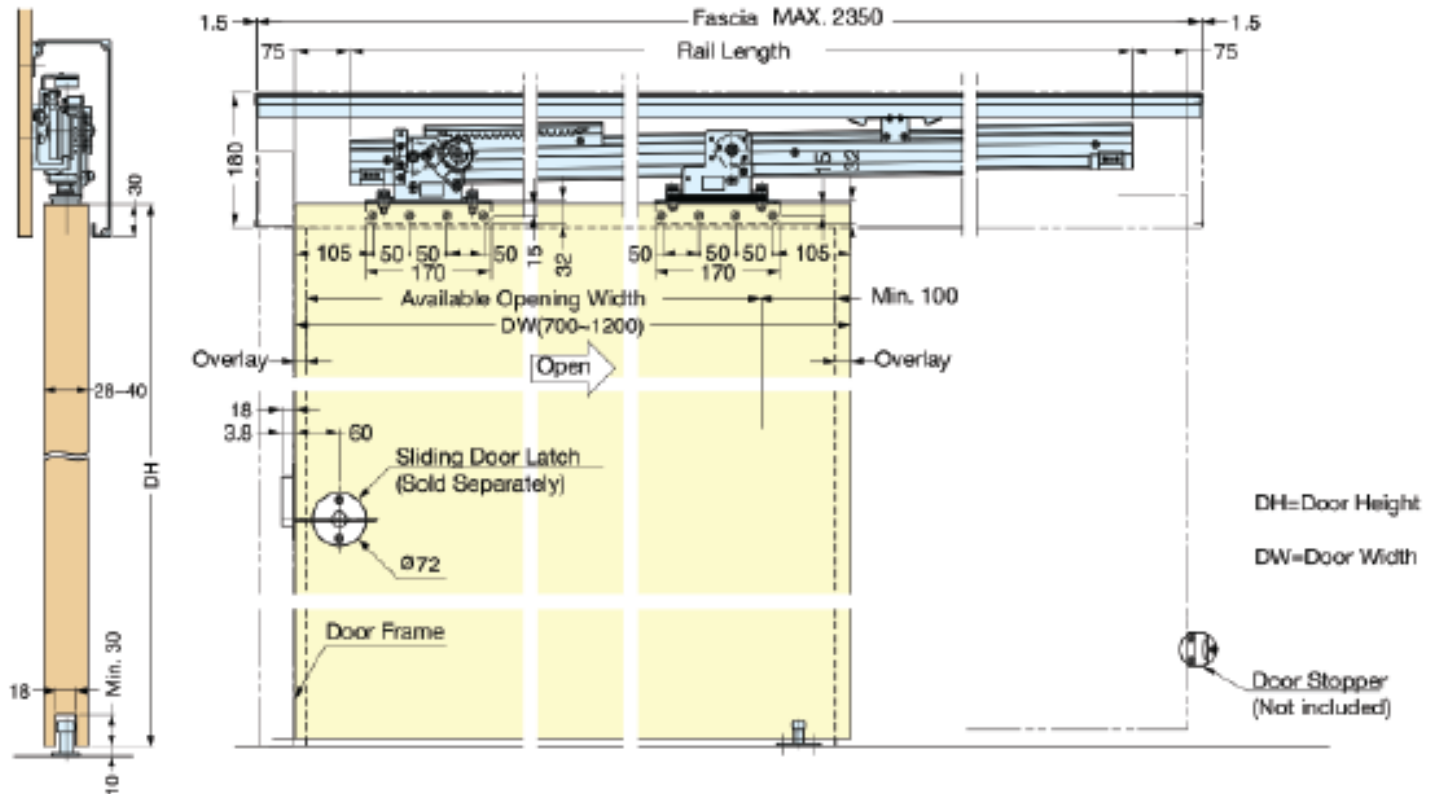
## System Features

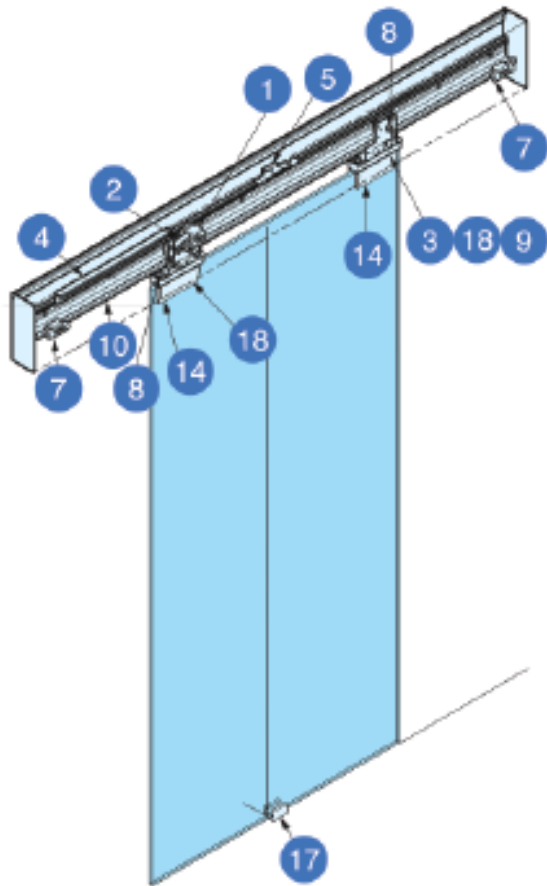
- ✓ Self closing sliding door system - no electricity required.
- ✓ With damper for smooth and soft closing, eliminates slamming.
- ✓ Damping speed adjustable for best soft closing.
- ✓ No bottom rail needed for clean appearance.
- ✓ Door opens lightly for easy operation.
- ✓ Door catch included to hold door in fully open position.
- ✓ Designed for 8-12 mm thick glass doors, 25-40 mm thick wood doors.
- ✓ Non-handed. One system for left or right opening type.
- ✓ Wall surface mount type for easy installation.

**TGD**  
PREMIER  
AUTOMATIC  
DOOR  
SYSTEM

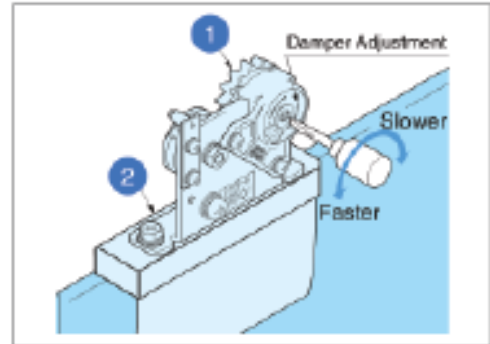


Closing speed adjustable by turning adjustment screw on damper.

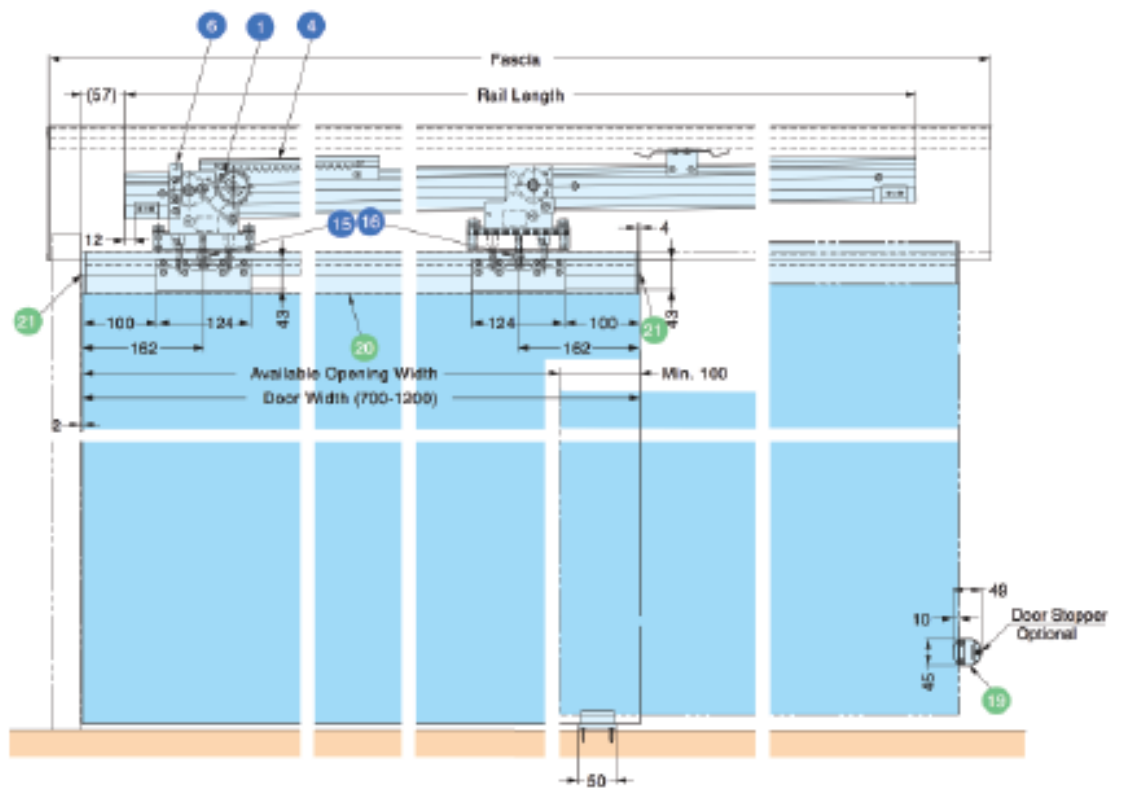
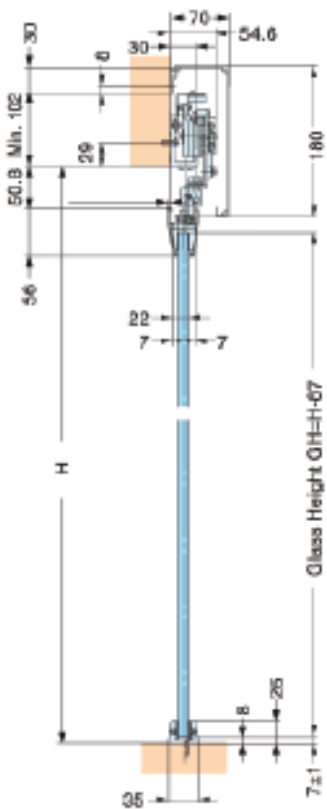




Speed Adjustment







Closing speed adjustable by turning adjustment screw on damper.



## Part Details

No.		1	2	3	4	5	6	7
Name		Damper	Roller A	Roller B	Gear Rack	Spring	Stopper Roller	Door Stopper
								
Necessary Qty	LM-60	1 pcs	1 pcs	1 pcs	1 pcs	1 pcs	1 pcs	2 pcs
	LM-60G	1 pcs	1 pcs	1 pcs	1 pcs	1 pcs	1 pcs	2 pcs

No.		8	9	10	11	12	13	14
Name		Stopper Plate	Height Adjustment Spacer	Upper Rail	Roller Bracket (For Wood)	Bottom Roller Guide	Anchor	Glass Bracket
								
Necessary Qty	LM-60	2 pcs	t11mm: 15 pcs	1 pcs	2 pcs	1 pcs	2 pcs	-
	LM-60G	2 pcs	t0.5mm: 1 pcs	1 pcs	-	-	-	2 pcs

No.		15	16	17	18
Name		Hanger Bolt	Nut	Bottom Guide	Hanging Bracket
					
Necessary Qty	LM-60	-	-	-	-
	LM-60G	2 pcs	2 pcs	1 pcs	2 pcs

## Product Specifications

Model	LM-80 (For Wood) / LM-80G (For Glass)
Door Width	700 - 1200 mm
Door Thickness	Wood : 28-40mm / Glass : 8-12mm
Door Weight	30-80kg/Door
Door Travel	Max. 1100mm (in case of door width 1200mm)
Closing Drive System	Rail Inclination (3.5/300)
Controlling System	Fluid Friction Resistance Type
Controlling Time	7-11 seconds (with a door opening distance of 900 mm)
Initial Opening Force [N]	5.4-12.5
Durability	More Than 1 Million Open / Close Operations



บริษัท ทีดี ออโตมัติค ดอร์ส จำกัด

78 ซอยรามอินทรา-48 ถนนรามอินทรา แขวงคลองจั่น เขตบางเขน กรุงเทพฯ 10250

TGD Automatic Doors Co., Ltd.

78 Chalemprikat 48, Dorkmal, Pravat, Bangkok, Thailand 10250

T | 02 726 8177 W | [www.tgd.co.th](http://www.tgd.co.th)

F | 02 726 2306 E | [info@tgd.co.th](mailto:info@tgd.co.th)